

**LAVAPENTOLE
 POT WASHER**
**ZPPWES / APPWES / EPPWES / NPPWES /
 ZPPWEH / APPWEH / EPPWEH / NPPWEH/
 ZPPWSSG / ZPPWEL APPWEL / EPPWEL /
 NPPWEL / ZPPWSLG**

Code	Type	Ref.	Pagina/ Page
190400	EPPWELG5	a4	3 5 6 8 9
190898	EPPWESGM6	a5	2 4 6 7 9
190AQJ	EPPWESG	b2	2 4 6 7 9
506048	EPPWESG	m	2 4 6 7 9
506049	EPPWESG60	n	2 4 6 7 9
506050	EPPWEHG	r	2 4 6 7 9
506051	ZPPWESG	a	2 4 6 7 9
506052	ZPPWEHG	d	2 4 6 7 9
506053	ZPPWSSG	g	2 4 6 7 9
506054	EPPWELG	p	3 5 6 8 9
506055	EPPWELG60	q	2 4 6 7 9
506056	ZPPWELG	e	3 5 6 8 9
506057	ZPPWSLG	h	3 5 6 8 9
506062	EPPWESGFB	a1	2 4 6 7 9
506063	EPPWEHGFB	a2	2 4 6 7 9

Code	Type	Ref.	Pagina/ Page
506064	EPPWELGFB	a3	3 5 6 8 9
506071	EPPWESGM6	z	2 4 6 7 9
506073	EPPWESGM	a6	2 4 6 7 9
506074	EPPWESG6M	a7	2 4 6 7 9
506075	EPPWEHGM	a8	2 4 6 7 9
506076	EPPWELGM	a9	3 5 6 8 9
506077	EPPWELG6M	b1	2 4 6 7 9
511326	NPPWESG	b	2 4 6 7 9
511328	NPPWEHG	f	2 4 6 7 9
511329	NPPWELG	i	2 4 6 8 9
698083	APPWELG	c	2 4 6 8 9
698085	APPWESG	x	2 4 6 7 9
698086	APPWEHG	v	2 4 6 7 9

Pagina/ Page	Indice/ index
2	Vista generale * / Main view *
3	Vista generale ** / Main view **
4	Componenti idraulici * / Hydraulic components *
5	Componenti idraulici ** / Hydraulic components **
6	Circuito di scarico / Drain circuit
7	Circuito idraulico * / Hydraulic circuit *
8	Circuito idraulico ** / Hydraulic circuit **
9	Componenti elettrici / Electrical components
10 - 19	Lista ricambi / Spare parts list

* ZPPWES / APPWES / EPPWES / NPPWES / ZPPWEH / APPWEH / EPPWEH / NPPWEH / ZPPWSSG

** ZPPWEL / APPWEL / EPPWEL / NPPWEL / ZPPWSLG

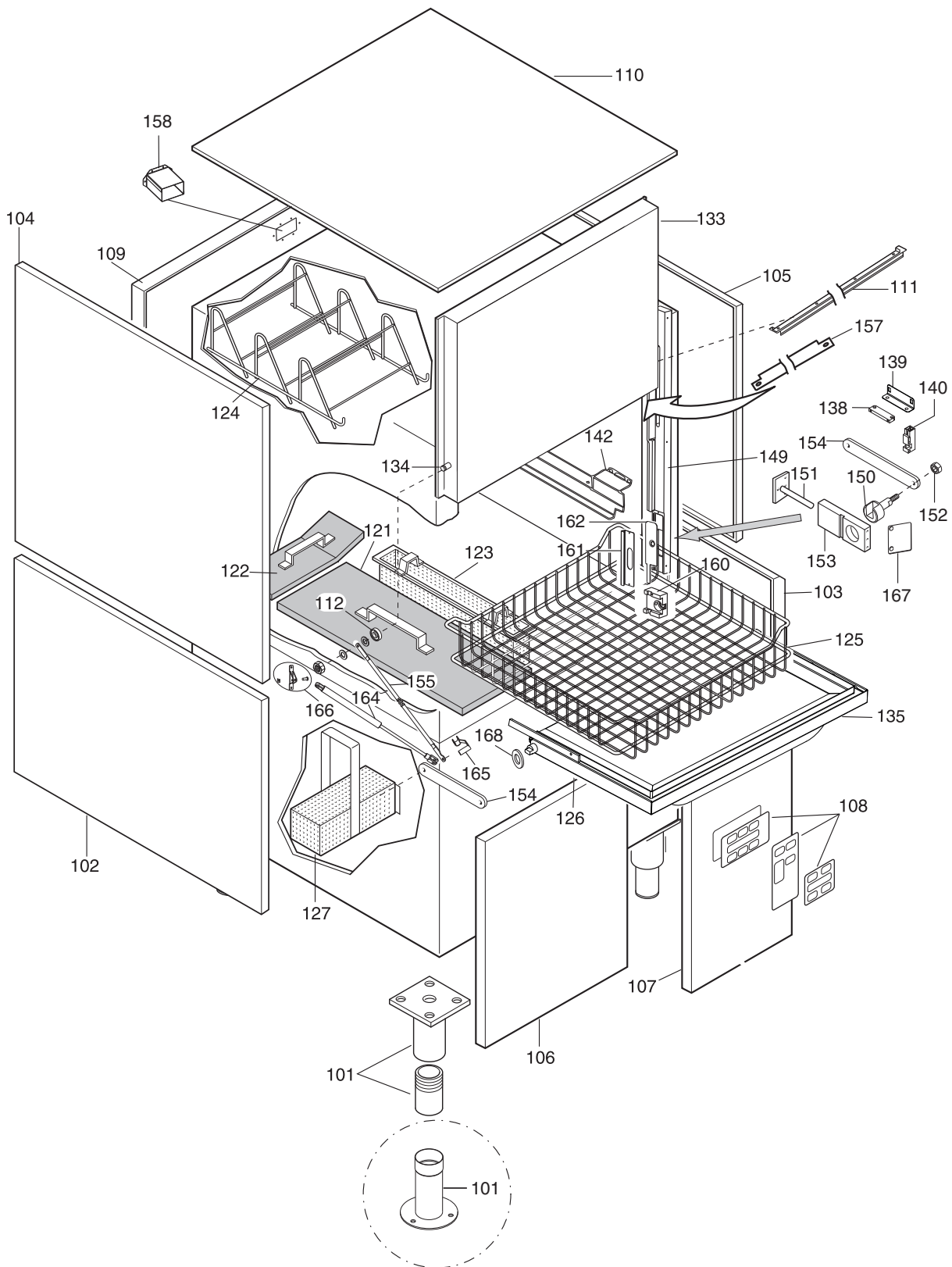
Marchio/ Brand: Z - E - A
Paese/ Country: Tutti/ All

Da Ser.Nr./From Ser.nr.: 223

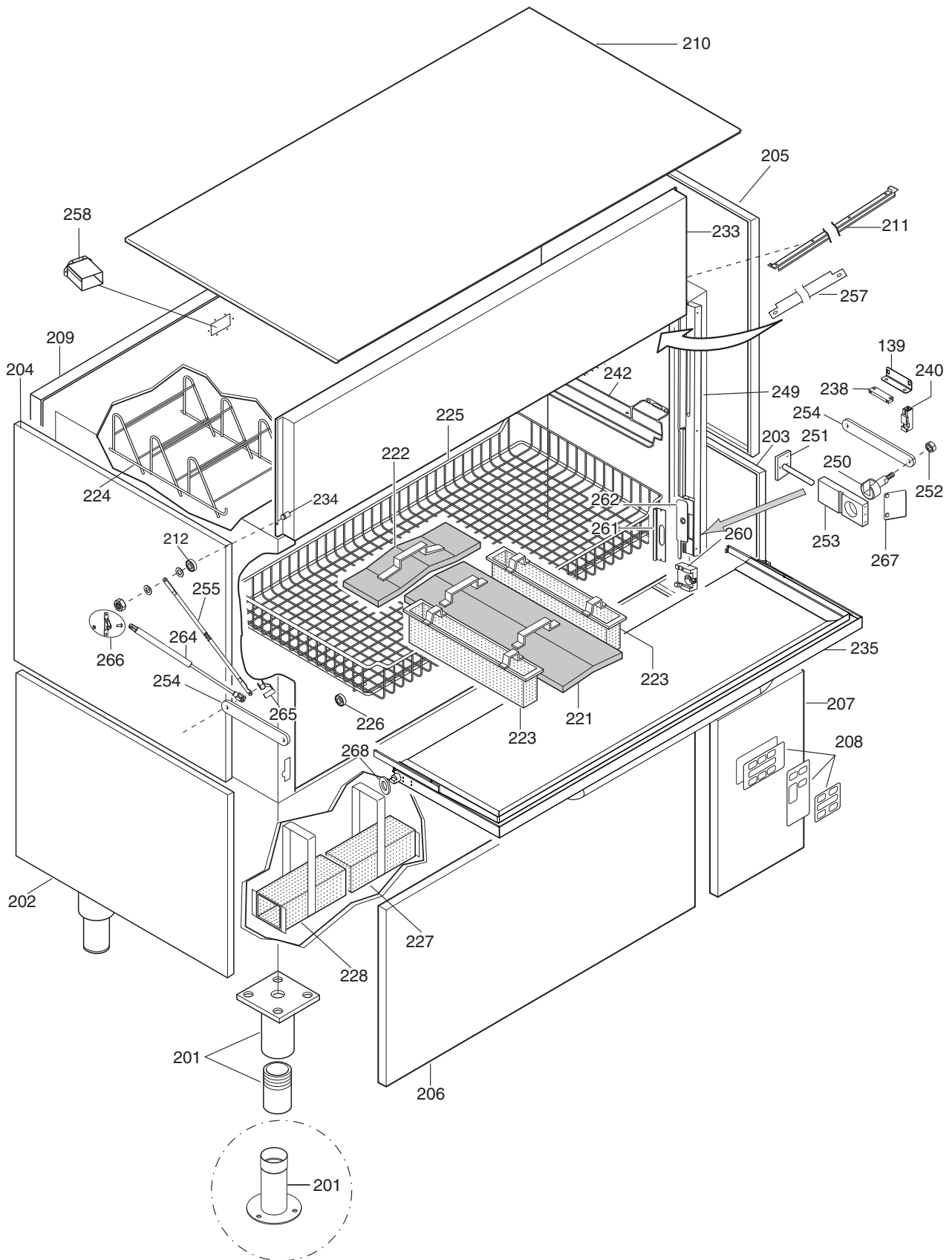
Page: 1

Ed.2019-03

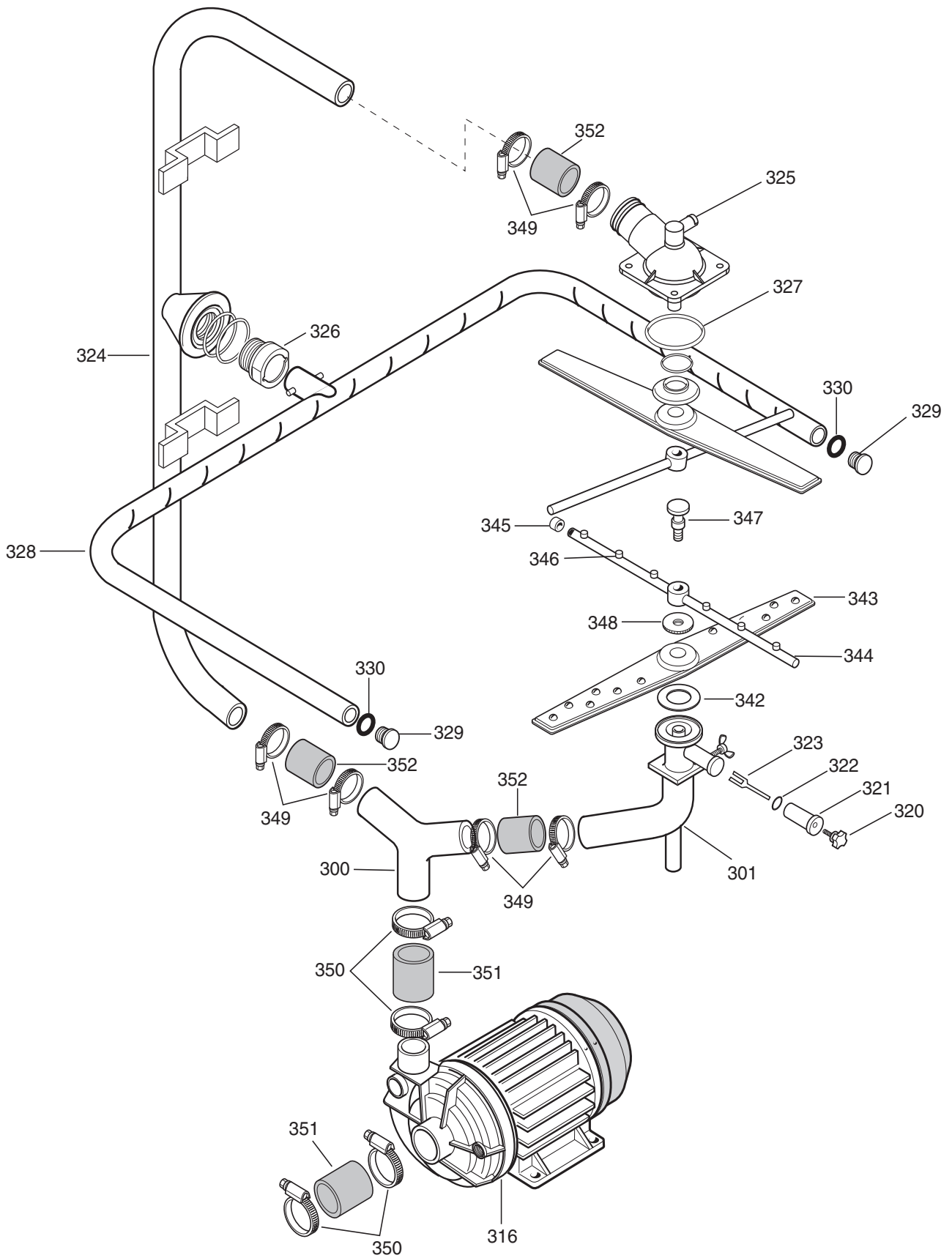
Doc. Nr.: 59566CG00



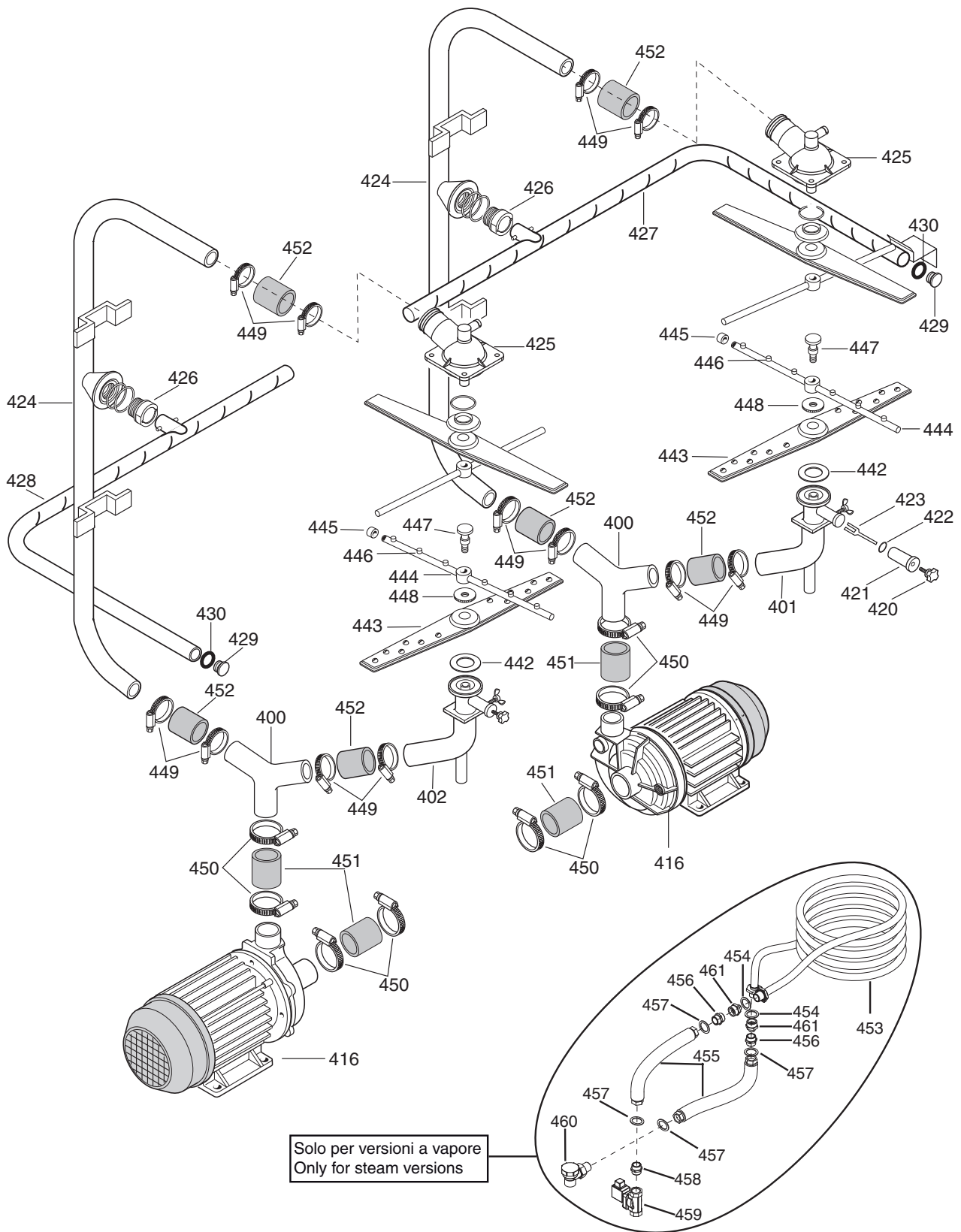
iii. 59566CG00_p2
 Vista generale * / Main view *



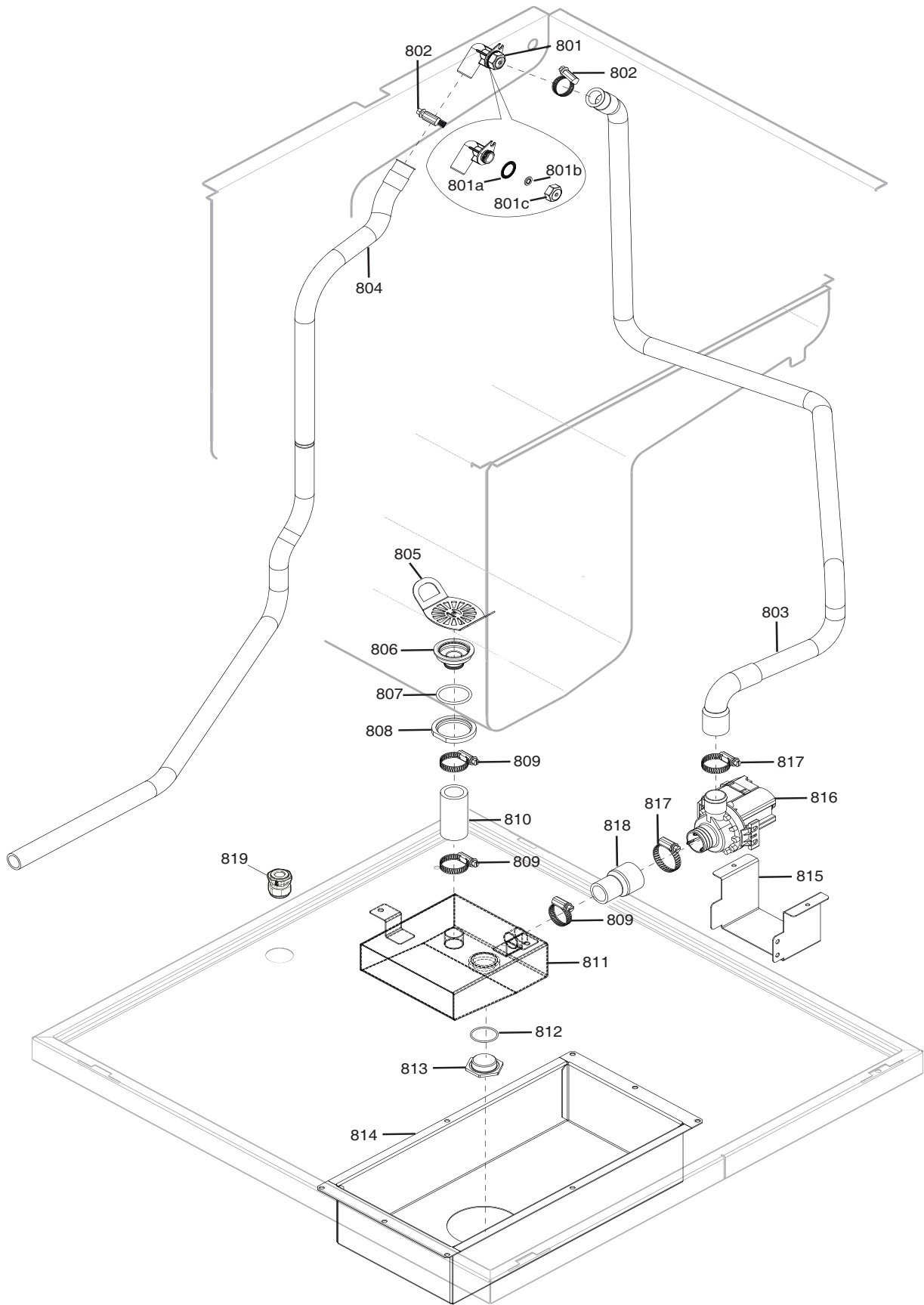
ill. 59566CG00_p3
 Vista generale ** / Main view **



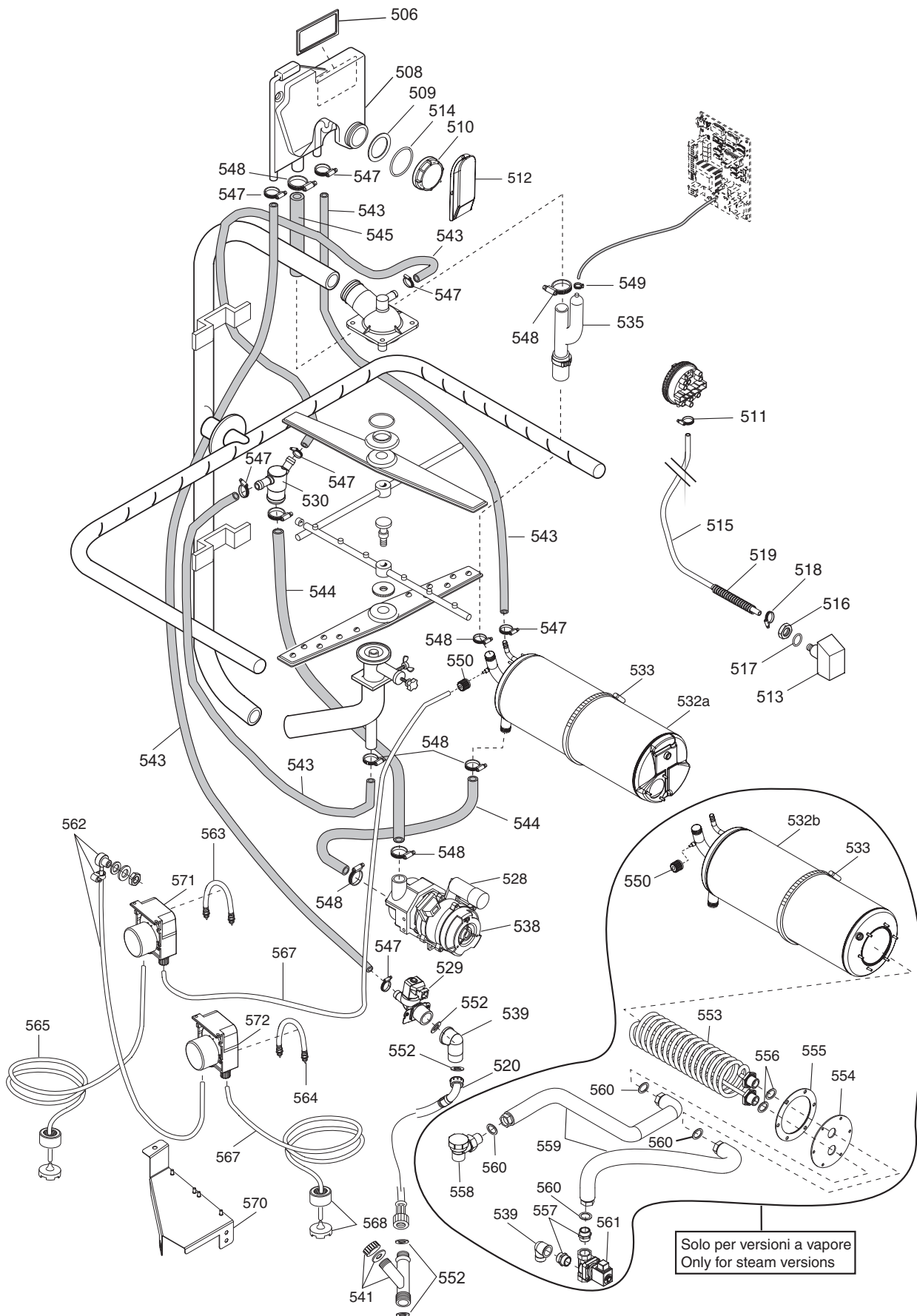
ill. 59566CG00_p4 rev2
 Componenti idraulici * / Hydraulic components *



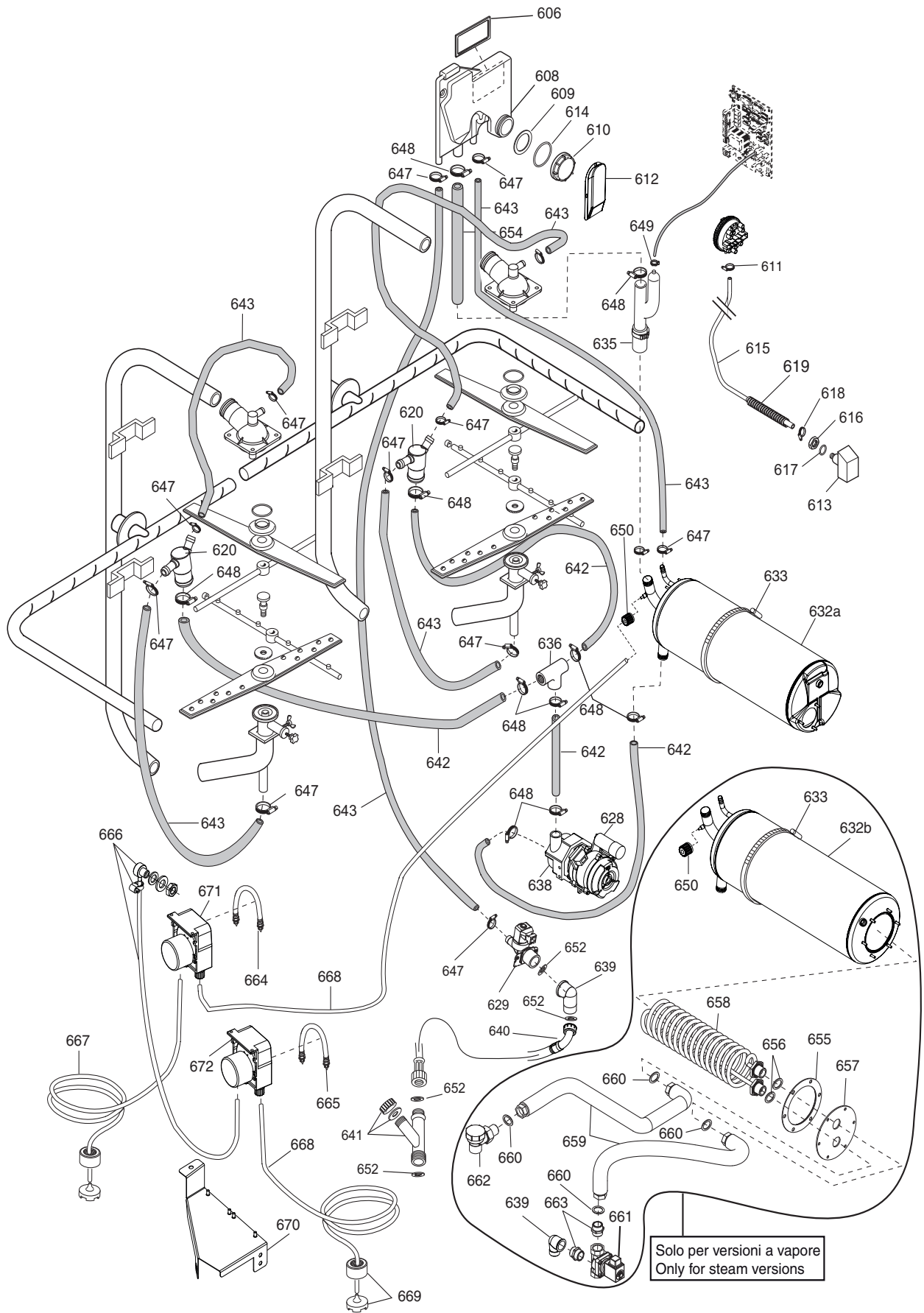
iii. 59566CG00_p5
Componenti idraulici ** / Hydraulic components **



ill. 59566CG00_p6 rev6
 Circuito di scarico / Drain circuit

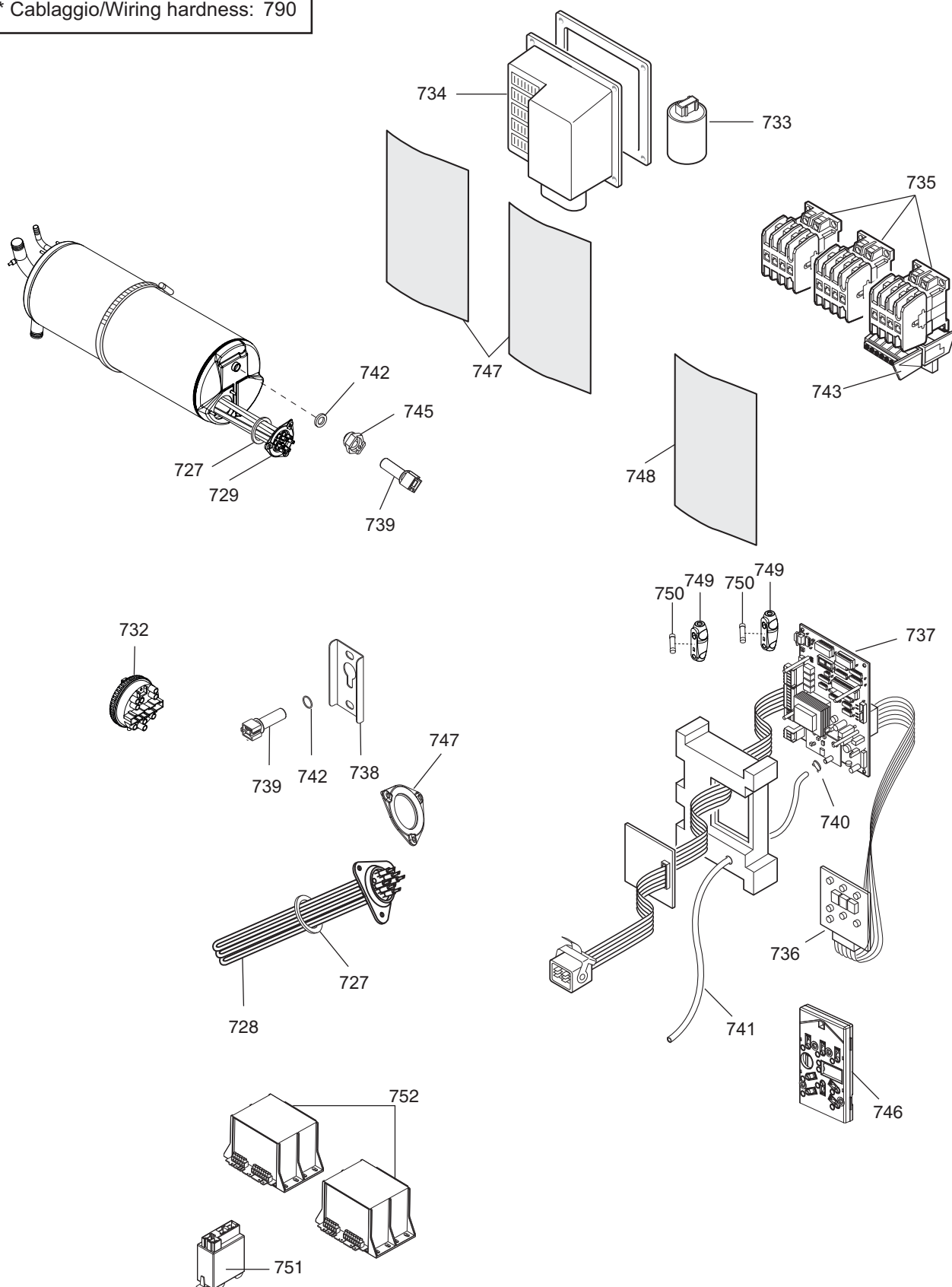


iii. 59566CG00_p7
Circuito idraulico * / Hydraulic circuit *



iii. 59566CG00_p8
 Circuito idraulico ** / Hydraulic circuit **

* Cablaggio/Wiring harness: 790



iii. 59566CG00_p9
Componenti elettrici / Electrical components

Da Ser.Nr./From Ser.nr.: 223

Page: 9

Ed.2017-11

Doc. Nr.: 59566CG00

LAVAPEN-TOLE/POT WASHER:		ZPPWES / APPWES / EPPWES / ZPPWEH / APPWEH / EPPWEH / ZPPWSSG / ZPPWEL / APPWEL / EPPWEL / ZPPWSLG	Grassetto = variazioni Bold Print = changes	
Pos.	Cod.ric. Part No.	Descrizione	Description	Note / Notes
		Pagina 2: Vista generale	Page 2: Main view	iii. 59566CG00_p2
101	048579	Piede; compl.	Foot; compl.	b,m,n,r,x-U to Ser: 405
101	0L3203	Piede; compl.	Foot; compl.	b,m,n,r,x,a1,a2,a6,a7,a8 From Ser: 406
101	0L3347	Piede Marine	Marine foot	z,a5,b2
102	049658	Pannello laterale; inferiore sx	Side panel; lower, left	
103	049659	Pannello laterale; inferiore dx	Side panel; lower, right	
104	049713	Pannello laterale; superiore sx	Side panel; upper, left	d,f,r,v,a2,a8
104	049660	Pannello laterale; superiore sx	Side panel; upper, left	a,b,g,m,n,x,z,a1,a5,a6,a7, b2
105	049661	Pannello laterale; superiore dx	Side panel; upper, right	a,b,g,m,n,x,z,a1,a5,a6,a7, b2
105	049714	Pannello laterale; superiore dx	Side panel; upper, right	d,f,r,v,a2,a8
106	049657	Pannello frontale	Front panel	a,b,d,f,g,m,n,r,v,x,z,a1,a2, a5,a6,a7,a8,b2
107	0L2020	Pannello comandi	Control panel	a,b,d,f,g,m,n,r,v,x,z,a1,a2, a5,a6,a7,a8,b2
108	0L1673	Membrana adesiva	Stick membrane	m,n,r,z up to 6161
108	0L3693	Membrana adesiva	Stick membrane	m,n,r,z,a5,a6,a7,a8,b2 from 6171
108	0L1681	Membrana adesiva	Stick membrane	b,f,v,x
108	0L1676	Membrana adesiva	Stick membrane	a,d,g
108	0L3201	Membrana adesiva	Stick membrane	b,f
108	0L3584	Membrana adesiva	Stick membrane	a1,a2
109	0L2022	Schienale	Back panel	a,b,g,m,n,x,z,a1,a5,a6,a7, b2
109	0L2126	Schienale	Back panel	d,f,r,v,a2,a8
110	049663	Coperchio	Cover	
111	0L0135	Frangiflutti	Splashguard	
112	0L0632	Boccola	Bush	
121	049673	Filtro piano	Filter plate	
122	049674	Filtro	Filter	
123	0E5183	Filtro; cestello	Filter; basket	
124	075690	Porta teglie	Tray support	
125	049664	Cesto	Basket	
125	0L3583	Cesto	Basket	a1,a2
126	049692	Ruota	Wheel	
127	049689	Protezione pompa; dx,compl.	Pomp protection; right, compl.	
133	0L0141	Porta; superiore; compl.	Door; upper; compl.	a,b,g,m,n,x,z,a1,a5,a6,a7, b2
133	0L0142	Porta; superiore; compl	Door; upper; compl.	d,f,r,v,a2,a8
134	049672	Perno	Pin	
135	0L2650	Porta	Door	
138	0L1001	Magnete	Magnet	

LAVAPEN-TOLE/POT WASHER:		ZPPWES / APPWES / EPPWES / ZPPWEH /APPWEH / EPPWEH / ZPPWSSG / ZPPWEL / APPWEL / EPPWEL / ZPPWSLG	Grassetto = variazioni Bold Print = changes	
Pos.	Cod.ric. Part No.	Descrizione	Description	Note / Notes
139	0L2599	Squadretta	Square	
140	049621	Sensore	Sensor	
142	049680	Guida cesto dx; compl.	Guide right; compl.	
142	049681	Guida cesto sx; compl.	Guide left; compl.	
149	0L2624	Ass.me guida dx;PW1H	Right assembly guide ;PW1H	d,f,r,v,a2,a8
149	0L2623	Ass.me guida sx;PW1H	Left assembly guide;PW1H	d,f,r,v,a2,a8
149	0L2617	Ass.me guida dx;PW1	Right assembly guide;PW1	a,b,g,m,n,x,z,a1,a5,a6,a7, b2
149	0L2616	Ass.me guida sx;PW1	Left assembly guide;PW1	a,b,g,m,n,x,z,a1,a5,a6,a7, b2
150	0L2748	Perno	Pin	
151	0L2620	Fermo porta dx; compl	Right door-stop; compl.	
151	0L2619	Fermo porta sx; compl	Left door-stop; compl.	
152	0E5063	Dado M8	Nut M8	
153	0L2609	Guida porta sx	Left door drive	
153	0L2610	Guida porta dx	Right door drive	
154	0L2746	Leva porta lunga	Long door lever	d,f,r,v,a2,a8
154	0L2745	Leva porta corta	Short door lever	a,b,g,m,n,x,z,a1,a5,a6,a7, b2
155	0L2618	Tirante per porta	Door drawrod	a,b,g,m,n,x,z,a1,a5,a6,a7, b2
155	0L2625	Tirante per porta	Door drawrod	d,f,r,v,a2,a8
157	049868	Paraspruzzi	Splashguard	
158	0L2024	Assieme appendice WRC	WRC air outlet assembly	a,b,d,f,g,m,n,r,v,x,z,a1,a2, a5,a6,a7,a8,b2
160	0L2608	Supporto guida scorrevole SX	Left sliding drive support	
160	0L2611	Supporto guida scorrevole DX	Right sliding drive support	
161	0L2604	Labirinto guida porta	Door drive labyrinth	
162	0L2605	Chiavistello sinistro blocco porta	Left door locking latch	
162	0L2606	Chiavistello destro blocco porta	Right door locking latch	
164	0L2607	Ammortizzatore idraulico	Hydraulic damper	a,b,g,m,n,x,z,a1,a5,a6,a7, b2
164	0L2747	Ammortizzatore idraulico	Hydraulic damper	d,f,r,v,a2,a8
165	0L2614	Perno attacco ammortizzatore	Damper connection pin	
166	0L2615	Supporto attacco ammortizzatore	Damper connection support	
167	0L2626	Piastrina	Plate	
168	0L2602	Rondella	Washer	
		Pagina 3: Vista generale	Page 3: Main view	ill. 59566CG00_p3
201	0L0194	Piede; compl.	Foot; compl.	Not for: "c,i,p,q,a9,b1"
201	048579	Piede; compl.	Foot; compl.	c,i,p,q,a3,a9,b1
201	0L3347	Piede Marine	Marine foot	a4
202	049658	Pannello laterale; inferiore sx	Side panel; lower, left	

LAVAPEN-TOLE/POT WASHER:		ZPPWES / APPWES / EPPWES / ZPPWEH /APPWEH / EPPWEH / ZPPWSSG / ZPPWEL / APPWEL / EPPWEL / ZPPWSLG		Grassetto = variazioni Bold Print = changes
Pos.	Cod.ric. Part No.	Descrizione	Description	Note / Notes
203	049659	Pannello laterale; inferiore dx	Side panel; lower, right	
204	049660	Pannello laterale; superiore sx	Side panel; upper, left	
205	049661	Pannello laterale; superiore dx	Side panel; upper, right	
206	049705	Pannello frontale	Front panel	SX,PW2
207	0L2020	Pannello comandi	Control panel	c,e,h,i,p,q,w,a3,a4,a9,b1
208	0L1681	Membrana adesiva	Stick membrane	c
208	0L1673	Membrana adesiva	Stick membrane	p,q up to 6161
208	0L3693	Membrana adesiva	Stick membrane	p,q,a4,a9,b1 from 6171
208	0L1676	Membrana adesiva	Stick membrane	e,h
208	0L3201	Membrana adesiva	Stick membrane	i
208	0L3584	Membrana adesiva	Stick membrane	a3
209	0L2027	Schienale;SX	Back; Left	
209	0L2026	Schienale;DX	Back; Right	c,e,h,i,p,q,a4,a9,b1
210	049708	Coperchio	Cover	
211	0L0136	Frangiflutti	Splashguard	
212	0L0632	Boccola	Bush	
221	049699	Filtro piano	Filter plate	
222	049700	Filtro	Filter	
223	0E5183	Filtro; cestello	Filter; basket	
224	075690	Portateglie	Tray support	
225	049709	Cesto	Basket	
225	0L3583	Cesto	Basket	a3
226	049692	Ruota	Wheel	
227	049689	Protezione pompa; dx,compl.	Pomp protection; right, compl.	
228	049701	Protezione pompa; Sx,compl.	Pomp protection; left, compl.	
233	0L0143	Porta; superiore; compl.	Door; upper; compl.	
234	049672	Perno	Pin	
235	0L2603	Porta; compl	Door; compl.	
238	0L1001	Magnete	Magnet	
239	0L0380	Squadretta	Square	
240	049621	Sensore	Sensor	
242	049680	Guida cesto dx; compl.	Guide right; compl.	
242	049681	Guida cesto sx; compl.	Guide left; compl.	
249	0L2617	Ass.me guida dx;PW2	Right assembly guide; PW2	
249	0L2616	Ass.me guida sx;PW2	Left assembly guide; PW2	
250	0L2748	Perno	Pin	
251	0L2620	Fermo porta dx; compl	Right door-stop; compl.	
251	0L2619	Fermo porta sx; compl	Left door-stop; compl.	
252	0E5063	Dado M8	Nut M8	
253	0L2609	Guida porta sx	Left door drive	
253	0L2610	Guida porta dx	Right door drive	
254	0L2745	Leva porta corta	Short door lever	
255	0L2618	Tirante per porta	Tie-rod	

LAVAPEN-TOLE/POT WASHER:		ZPPWES / APPWES / EPPWES / ZPPWEH /APPWEH / EPPWEH / ZPPWSSG / ZPPWEL / APPWEL / EPPWEL / ZPPWSLG		Grassetto = variazioni Bold Print = changes
Pos.	Cod.ric. Part No.	Descrizione	Description	Note / Notes
257	049867	Paraspruzzi	Splashguard	
258	0L2024	Assieme appendice WRC	WRC air inlet assembly	c,e,h,i,p,q,a3,a4,a9,b1
260	0L2608	Supporto guida scorrevole SX	Left sliding drive support	
260	0L2611	Supporto guida scorrevole DX	Right sliding drive support	
261	0L2604	Labirinto guida porta	Door drive labyrinth	
262	0L2605	Chiavistello sinistro blocco porta	Left door locking latch	
262	0L2606	Chiavistello destro blocco porta	Right door locking latch	
264	0L2607	Ammortizzatore idraulico	Hydraulic damper	
265	0L2614	Perno attacco ammortizzatore	Damper connection pin	
266	0L2615	Supporto attacco ammortizzatore	Damper connection support	
267	0L2626	Piastrina	Plate	
268	0L2602	Rondella	Washer	
		Pagina 4: Componenti idraulici	Page 4: Hydraulic components	Ill. 59566CG00_p4 rev2
300	049726	Raccordo 3 vie;	Connection 3 way;	
301	049695	Supporto getti inferiore; DX	Jets support; lower, Right	
316	049669	Pompa lavaggio; 230-400V 50HZ	Wash pump; 230-400V 50HZ	a,b,d,f,g,m,r,v,x,a1,a2,a6, a8,b2
316	049716	Pompa lavaggio 230-400V 60Hz	Wash pump 230-400V 60Hz	n,a5,a7
316	049864	Pompa lavaggio 440V 60Hz	Wash pump 440V 60Hz	z
320	0E5642	Manopola	Knob	
321	0E5643	Guida	Guide	
322	049676	Guarnizione	Gasket	
323	0E5645	Riduttore portata	Bar	
324	0L0621	Tube; collegamento getti	Pipe; jets connection	d,r,v,a2,a8
324	0L0620	Tube; collegamento getti	Pipe; jets connection	a,g,m,n,x,z,a1,a5,a6,a7,b2
325	0L0695	Supporto getti superiore	Jets support; upper	
326	049694	Attacco	Attack	
327	046366	OR 176-3, 53x73,03	OR 176-3, 53x73,03	
328	049691	Rampe laterali; compl.	Lateral ramp	
329	0E5227	Tappo 1/2 MSG	Plug 1/2 MSG	
330	0E5118	OR 17,3X2,4	O-Ring 17,3X2,4	
342	048401	Mozzo	Hub	
343	0L0389	Getto lavaggio	Wash jet	
344	0E5640	Getto risciacquo	Rinse jet	
345	0E5639	Tappo	Plug	
346	0E5107	Ugello 9506	Nozzle 9506	
347	048290	Perno; per getti risciaquo	Pin; for rinse jets	
348	048632	Rondella	Washer	
349	0L0193	Fascetta 40-60	Hose clamp 40-60	
350	046853	Fascetta 68-85	Hose clamp 68-85	
351	046565	Tube gomma; 65X75	Hose; 65x75	

LAVAPEN-TOLE/POT WASHER:		ZPPWES / APPWES / EPPWES / ZPPWEH /APPWEH / EPPWEH / ZPPWSSG / ZPPWEL / APPWEL / EPPWEL / ZPPWSLG	Grassetto = variazioni Bold Print = changes	
Pos.	Cod.ric. Part No.	Descrizione	Description	Note / Notes
352	045768	Tubo gomma; 45X55	Hose; 45x55	
		Pagina 5: Componenti idraulici	Page 5: Hydraulic components	iii. 59566CG00_p5
400	049726	Raccordo 3 vie	Connection 3 way	
401	049695	Supporto getti inferiore; DX	Jets support; lower, Right	
402	049704	Supporto getti inferiore; SX	Jets support; lower, Left	
416	049669	Pompa lavaggio; 230-400V 50HZ	Wash pump; 230-400V 3X 50HZ	c,e,h,p,a3,a4,a9
416	049716	Pompa lavaggio; 230-400V 60Hz	Wash pump; 230-400V 3X 60Hz	q,b1
420	0E5642	Manopola	Knob	
421	0E5643	Guida	Guide	
422	049676	Guarnizione	Gasket	
423	0E5645	Riduttore portata	Bar	
424	0L0620	Tubo; collegamento getti	Pipe; jets connection	
425	0L0695	Supporto getti superiore	Jets support; upper	
426	049694	Attacco	Attack	
427	049703	Rampe laterali;DX, compl.	Lateral ramp; Right	
428	049702	Rampe laterali;SX, compl.	Lateral ramp; Left	
429	0E5227	Tappo 1/2 MSG	Plug 1/2 MSG	
430	0E5118	OR 17,3X2,4	O-Ring 17,3X2,4	
442	048401	Mozzo	Hub	
443	0L0389	Getto lavaggio	Wash jet	
444	0E5640	Getto risciacquo	Rinse jet	
445	0E5639	Tappo	Plug	
446	0E5107	Ugello 9506	Nozzle 9506	
447	048290	Perno; per getti risciaquo	Pin; for rinse jets	
448	048632	Rondella	Washer	
449	0L0193	Fascetta 40-60	Hose clamp 40-60	
450	046853	Fascetta 68-85	Hose clamp 68-85	
451	046565	Tubo gomma; 65X75	Hose; 65x75	
452	045768	Tubo gomma; 45X55	Hose45x55	
453	0L2358	Serpentina vapore	Steam coil	
454	0L0179	Guarnizione in rame	Copper gasket	
455	0L1603	Tubo	Hose	
456	0H2583	Raccordo	Fitting	
457	0L2236	Guarnizione	Gasket	
458	072457	Nipplo 3/4"-3/4"	Nipple 3/4"-3/4"	
459	0L1482	Elettrovalvola vapore	Steam solenoid valve	
460	0E0153	Scaricatore di condensa	Steam drain	
461	0L0262	Nipplo M3/4"-F1/2"	Nipple M3/4"-F1/2"	
		Pagina 6: Circuito idraulico	Page 6: Hydraulic circuit	iii. 59566CG00_p6 rev6 rev6
801	0L2729	Valvola di sfiato	Vent valve	

LAVAPEN-TOLE/POT WASHER:		ZPPWES / APPWES / EPPWES / ZPPWEH / APPWEH / EPPWEH / ZPPWSSG / ZPPWEL / APPWEL / EPPWEL / ZPPWSLG	Grassetto = variazioni Bold Print = changes	
Pos.	Cod.ric. Part No.	Descrizione	Description	Note / Notes
801a	0L4469	Guarnizione piana valvola sfiato	Vent valve gasket	
801b	0L4468	Guarnizione sfiato	Vent gasket	
801c	0L4467	Tappo valvola sfiato	Vent valve plug	
802	047578	Fascetta	Hose clamp	25-40/9
803	0L2730	Tubo di mandata	Delivery hose	
804	0L2739	Tubo di scarico	Drain pipe	
805	0L2743	Filtro fondo vasca	Tank bottom filter	
806	0L2734	Raccordo di scarico M	Drain fitting M	1 1/2" G
807	065506	O-ring 3,53X42,86	O-ring 3,53X42,86	
808	066079	Ghiera fissaggio pileta	Drain nut	
809	0L2728	Fascetta (Inox)	Hose clamp (stainless steel)	25-40/9
810	049773	Tubo 26X37	Pipe 26X37	74 mm
811	0L2733	Collettore di scarico	Drain collector	
812	0L2738	O-ring 34.6X2.62	O-ring 34.6X2.62	
813	0L2735	Tappo collettore	Collector plug	1" G
814	0L2731	Copertura scarico	Drain cover	
815	0L2732	Supporto pompa scarico	Drain pump support	
816	0L2740	Pompa scarico	Drain pump	50 Hz
816	0L2741	Pompa scarico	Drain pump	60 Hz
817	0L2649	Fascetta (Inox)	Hose clamp (stainless steel)	38-50/9
818	0L0759	Manicotto	Manifold	
819	048932	Pressacavo / controdamo	Fixing cable	a5
		Pagina 7: Circuito idraulico	Page 7: Hydraulic circuit	ill. 59566CG00_p7
506	0L0413	Guarnizione WRC	WRC Sealing	
508	049481	Salto in aria; WRC	AIR GAP	a,b,d,g,m,n,r,v,x,z,a1,a2, a6,a7,a8
509	049828	Guarnizione	Gasket	
510	049480	Ghiera	Ring nut	
511	0L0082	Fascetta 7.3 / 7.8mm	Clamp 7.3 / 7.8mm	From Ser. 406
512	0L2560	Protezione ghiera	Guard ring nut	
513	048308	Trappola d'aria	Air trap	
514	049460	O ring	O Ring	
515	048883	Tubo 5x12 gomma	Hose; 5x12	Up to Ser. 405
515	OK9162	Tubo 4x7 gomma	Hose; 4x7	From Ser. 406
516	049268	Dado M14x1.5	Nut; M14x1,5	
517	068642	OR 2062x15.54	O Ring	
518	046946	Fascetta 8-12	Clamp 8-12	Up to Ser. 405
518	046946	Fascetta 9.3 / 9.9	Clamp 9.3 / 9.9	From to Ser. 406
519	0L3273	Tubo corrugato Hellerman (HG-SW13)	Conduit Hellerman (HG-SW13)	From Ser. 406
520	0L1887	Tubo alimentazione acqua	Water inlet hose	a,b,d,f,g,m,n,r,z,a1,a2,a5, a6,a7,a8,b2

LAVAPEN-TOLE/POT WASHER:		ZPPWES / APPWES / EPPWES / ZPPWEH / APPWEH / EPPWEH / ZPPWSSG / ZPPWEL / APPWEL / EPPWEL / ZPPWSLG	Grassetto = variazioni Bold Print = changes	
Pos.	Cod.ric. Part No.	Descrizione	Description	Note / Notes
528	083406	Condensatore per pompa risc.	Rinse pump capacitor	5.0 µF
529	0L0567	Elettrovalvola	Electric valve	a,d,g,m,n,r,v,x - Up to Ser.402
529	0L0776	Elettrovalvola	Electric valve	a,b,d,e,f,g,h,m,n,p,q,r,a6,a8 - From to Ser. 403 Up to Ser. 5081
529	0L3447	Elettrovalvola	Electric valve	a,b,d,e,f,g,h,m,n,p,q,r,z,a1,a2,a3,a4,a5,a6,a7,a8,a9,b1,b2 - From to Ser. 5091
530	0L0365	Raccordo a 3 vie	3 way connection	
532a	0L0348	Boiler	Boiler	Not for "g"
532b	0L2357	Boiler vapore	Steam Boiler	g
533	048222	Fascetta 200-231	Hose clamp 200-231	
534	049859	Coibentazione boiler	Boiler insulation	
535	0L0098	Trappola d'aria; boiler	Air trap; boiler	
538	0L1100	Pompa risciacquo; 60Hz	Rinse pump; 60Hz	n
538	0L1101	Pompa risciacquo; 60Hz	Rinse pump; 60Hz	z
538	0L1079	Pompa risciacquo; 50Hz	Rinse pump; 50Hz	a,b,d,f,g,m,r,v,x,a1,a2,a6,a8
538	0L1103	Pompa risciacquo; 50Hz	Rinse pump; 50Hz	b2
538	0L4440	Pompa risciacquo; 60Hz	Rinse pump; 60Hz	a5
539	049679	Gomito; 90 GR	Elbow; 90 degr	
541	048834	Filtro	Filter	
543	049379	Tubo 19,5x12	Hose 19,5x12	
544	049773	Tubo 26x38	Hose 26x38	
545	049287	Tubo 25,5x32	Hose 25,5x32	
547	048126	Fascetta 13-20	Hose clamp 13-20	
548	047578	Fascetta 26-38	Hose clamp 26-38	
549	0E5993	Fascetta 7,3-7,8	Hose clamp 7,3-7,8	
550	0L2071	Assieme tappo brillantante	Rinse aid plug assembly	All - a1, a2, a3 up to 6031
550	0L0349	Assieme tappo brillantante	Rinse aid plug assembly	a1,a2,a3 from 6041
552	049201	Guarnizione	Gasket	
553	0E5359	Serpentina vapore	Steam coil	
554	0E3085	Flangia	Flange	
555	0H2210	Guarnizione	Gasket	
556	0L0628	Guarnizione in rame	Copper gasket	
557	072457	Nipplo 3/4"-3/4"	Nipple 3/4"-3/4"	
558	0E0153	Scaricatore di condensa	Steam drain	
559	0L1558	Tubo	Hose	
560	0L2236	Guarnizione	Gasket	
561	0L1482	Elettrovalvola vapore	Steam solenoid valve	
562	0L2758	Iniettore deterg. + fascetta + tubo	Detergent injector + clamp + pipe	40 mm (tubo/pipe)
563	049418	Tubo interno pompa brillantante	Rinse aid dispenser hose	
564	049419	Tubo interno pompa detergente	Detergent dispenser hose	
565	0L0481	Tubo brillantante	Rinse aid pipe	

LAVAPEN-TOLE/POT WASHER:		ZPPWES / APPWES / EPPWES / ZPPWEH / APPWEH / EPPWEH / ZPPWSSG / ZPPWEL / APPWEL / EPPWEL / ZPPWSLG	Grassetto = variazioni Bold Print = changes	
Pos.	Cod.ric. Part No.	Descrizione	Description	Note / Notes
567	0L1163	Tubo detergente	Detergent pipe	
568	0S1028	Peso in inox con filtro	Inox weight with filter	
570	0L2744	Supporto dosatori/ pressostato	Pressure switch/ dispensers plate	
571	0L0696	Pompetta detergente	Detergent pump	Up to 4241
571	0S1711	Pompetta detergente	Detergent pump	From 4251 up to 5441
571	0L3640	Pompetta detergente	Detergent pump	From 5451
572	0L0697	Pompetta brillantante	Rinse aid pump	Up to 4181
				From 4191
572	0S1713	Pompetta brillantante	Rinse aid pump	Up to 6161
572	0S2285	Pompetta brillantante	Rinse aid pump	From 6171
		Pagina 8: Circuito idraulico	Page 8: Hydraulic circuit	III. 59566CG00_p8
606	0L0413	Guarnizione WRC	WRC Sealing	c,e,h,i,p,q,a3,a4,a9,b1
608	049481	Salto in aria; WRC	AIR GAP	c,e,h,i,p,q,a3,a4,a9,b1
609	049828	Guarnizione	Gasket	
610	049480	Ghiera	Ring nut	
611	0L0082	Fascetta 7.3 / 7.8mm	Clamp 7.3 / 7.8mm	From Ser. 406
612	0L2560	Protezione ghiera	Guard ring nut	
613	048308	Trappola d'aria	Air trap	
614	049460	O ring	O Ring	
615	048883	Tubo 5x12 gomma	Hose; 5x12	Up to Ser. 405
615	0K9162	Tubo 4x7 gomma	Hose; 4x7	From to Ser. 406
616	049268	Dado M14x1.5	Nut; M14x1,5	
617	068642	OR 2062x15.54	O Ring	
618	046946	Fascetta 8-12	Clamp 8-12	Up to Ser. 405
618	046946	Fascetta 9.3 / 9.9	Clamp 9.3 / 9.9	From to Ser. 406
619	0L3273	Tubo corrugato Hellaerman (HG-SW13)	Conduit Hellaerman (HG-SW13)	From Ser. 406
620	0L0365	Raccordo a 3 vie	3 way connection	
628	083406	Condensatore per pompa risc.	Rinse pump capacitor	5.0 µF
629	0L0567	Elettrovalvola	Electric valve	c,e,h,p,q - Up to Ser. 402
629	0L0776	Elettrovalvola	Electric valve	i,p,a9 - From to Ser. 403
629	0L0776	Elettrovalvola	Electric valve	i,p - Up to Ser. 5081
629	0L3447	Elettrovalvola	Electric valve	i,p,a3,a4,a9 - From to Ser. 5091
632a	0L0348	Boiler	Boiler	Not for "h"
632b	0L2357	Boiler vapore	Steam Boiler	h
633	048222	Fascetta 200-231	Hose clamp 200-231	
634	049859	Coibentazione boiler	Boiler insulation	
635	0L0098	Trappola d'aria; boiler	Air trap; boiler	
636	0L0210	Raccordo a "T"	T connection	
638	0L1079	Pompa risciacquo; 50Hz	Rinse pump; 50Hz	c,e,h,i,p,a3,a9
638	0L1103	Pompa risciacquo; 50Hz	Rinse pump; 50Hz	a4

LAVAPEN- TOLE/POT WASHER:		ZPPWES / APPWES / EPPWES / ZPPWEH /APPWEH / EPPWEH / ZPPWSSG / ZPPWEL / APPWEL / EPPWEL / ZPPWSLG	Grassetto = variazioni Bold Print = changes	
Pos.	Cod.ric. Part No.	Descrizione	Description	Note / Notes
638	0L1100	Pompa risciacquo; 60Hz	Rinse pump; 60Hz	q
639	049679	Gomito; 90 GR	Elbow; 90 degr	
640	0L1887	Tubo alimentazione acqua	Water inlet hose	e,h,i,p,q,a3,a4,a9,b1
641	048834	Filtro	Filter	
642	049773	Tubo 25,5X36	Hose 25,5X36	
643	049379	Tubo 19,5x12	Hose 19,5x12	
647	048126	Fascetta 13-20	Hose clamp 13-20	
648	047578	Fascetta 26-38	Hose clamp 26-38	
649	0E5993	Fascetta 7,3-7,8	Hose clamp 7,3-7,8	
650	0L2071	Assieme tappo brillantante	Rinse aid plug assembly	
652	049201	Guarnizione	Gasket	
654	049287	Tubo 25,5x32	Hose 25,5x32	
655	0H2210	Guarnizione	Gasket	
656	0L0628	Guarnizione in rame	Copper gasket	
657	0E3085	Flangia	Flange	
658	0E5359	Serpentina vapore	Steam coil	
659	0L1558	Tubo	Hose	
660	0L2236	Guarnizione	Gasket	
661	0L1482	Elettrovalvola vapore	Steam solenoid valve	
662	0E0153	Scaricatore di condensa	Steam drain	
663	072457	Nipplo 3/4"-3/4"	Nipple 3/4"-3/4"	
664	049418	Tubo interno pompa brillantante	Rinse aid dispenser hose	
665	049419	Tubo interno pompa detergente	Detergent dispenser hose	
666	0L2758	Iniettore deterg. + fascetta + tubo	Detergent injector + clamp + pipe	40 mm (tubo/pipe)
667	0L0481	Tubo brillantante	Rinse aid pipe	
668	0L1163	Tubo detergente	Detergent pipe	
669	0S1028	Peso in inox con filtro	Inox weight with filter	
670	0L2744	Supporto dosatori/ pressostato	Pressure switch/ dispensers plate	
671	0L0697	Pompetta brillantante	Rinse aid pump	Up to 4181
671	0S1713	Pompetta brillantante	Rinse aid pump	From 4191 Up to 6161
671	0S2285	Pompetta brillantante	Rinse aid pump	From 6171
672	0L0696	Pompetta detergente	Detergent pump	
		Pagina 9: Componenti elettrici	Page 9: Electrical components	ill. 59566CG00_p9
727	0E5037	OR 56.52X5.33	OR 56.52X5.33	
728	0L2766	Resistenza.; 230V; 7kw	Heating element;230V, 7kw	a,b,d,f,g,m,n,r,v,x,a1,a2,a5, b2
728	0L2483	Resistenza.; 254V; 7kw	Heating element;254V, 7kw	z
728	0L2727	Resistenza; 230V, 10,5kw	Heating element; 230v, 10,5kw	c,e,i,p,q,a3,a4,a5,a9,b1
729	0L2727	Resistenza; 230V, 10,5kw	Heating element; 230v, 10,5kw	
729	0L2011	Resistenza; 254V, 10,5kw	Heating element; 254v, 10,5kw	z
732	0L2742	Pressostato	Pressure switch	

LAVAPEN- TOLE/POT WASHER:		ZPPWES / APPWES / EPPWES / ZPPWEH /APPWEH / EPPWEH / ZPPWSSG / ZPPWEL / APPWEL / EPPWEL / ZPPWSLG	Grassetto = variazioni Bold Print = changes	
Pos.	Cod.ric. Part No.	Descrizione	Description	Note / Notes
733	049303	Filtro RFI; trifase	RFI filter; three phase	
734	0L0111	Morsettiera	Junction box	
735	0L0285	Contattore; 230V, 50HZ, 25A	Contactor; 230V, 50Hz, 25A	a,b,c,d,e,f,g,i,m,p,r,v,x,a1,a2, a4,a6,a8,a9,b2
735	0L0286	Contattore; 230V, 60HZ, 25A	Contactor; 230V,60Hz, 25A	n,q,a7,b1
736	0L1973	Interfaccia utente	User interface	n q up to 7021 a,b,d,e,f,g,h,i,m,p,r,z,a1,a2, a3 up to 6161
736	0L3876	Interfaccia utente	User interface	n,q,a7,b1 from 7031 a,b,d,e,f,g,h,i,m,p,r,z,a1,a2, a3,a4,a5,a6,a8,a9,b2 from 6171
737	0L2583	Scheda madre	Main board	
738	0L0366	Supporto; sonda di temp.	Support; temp.sound	
739	049643	Sonda di temperatura	Temp.sound	
740	0E5993	Fascetta elastica 7,8-8,3	Hose clamp 7,8-8,3	
741	072393	Tubo gomma; L=2100 MM	Hose	
742	046376	OR 2037	O Ring	
743	0E0178	Protezione	Motor protection	
745	0L0280	Premistoppa	Stuffing box	
746	0L1568	Copertura interfaccia utente	User interface cover	
747	0L2751	Protezione morsettiera	Junction box protection	
748	0L2752	Protezione pannello elettrico	Electrical panel protection	
749	091981	Portafusibile	Fuse holder	
750	0L1295	Fusibile 5X20 T10AL	Fuse 5X20 T10AL	
751	048888	Relais 0419 - tipo EAS/AS-120A-H	Relays 0419 - type EAS/AS-120A-H	z
752	049883	Trasformatore 80VA-400..440/ 230V	Trasformer 80VA-400..440/230V	z,a4,a5,b2
790	0L2497	Cablaggio	Wiring harness	
790	049870	Cablaggio aggiuntivo	Additional wiring harness	Only for "c,e,h,i,p,q,a9,b1"
790	0L2496	Cablaggio	Wiring harness	g,h